

User Manual for Fiber to Serial Converter. Model SC09FSS

Features:

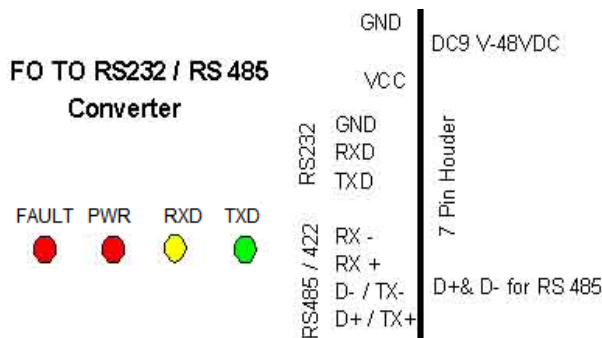
Supports RS232 / RS485 / RS422 Interfaces.
 Asynchronous transmission : Point-to-Point with a rate 115kbps in RS232 & 460kbps in RS485.
 Transmission distance : 4 Km for multi-mode and 20 Km for single-mode.
 Working temperature : -40°C to +80°C
 Relative humidity : 5% to 95% rh non condensing.
 Working wave length : 1310nm (Single-mode & Multimode)
 Both half duplex and full duplex communications through fiber supported

Look at the check box for identifying Single / Multimode

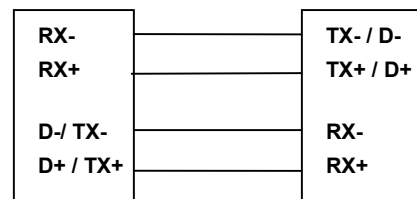
Interfaces:

RS232 / RS485/422 : Screw type Industrial Connector
 Fiber interface : ST Interface (other interface can be ordered SC/FC)
 RS-232 Interface : 3 Lines
 Input voltage : 24V DC, Range 9 to 48V DC @ 350mA. Pls mention while placing PO
 : Provision for 12V DC, 230 V AC Adapter
 RS-485/422 Interface : 32 Multidrops
 ESD protection : +/-15KV on all signals
 Surge protection : 600W each line for RS422 and RS485 interfaces.

Connection Details and Signals

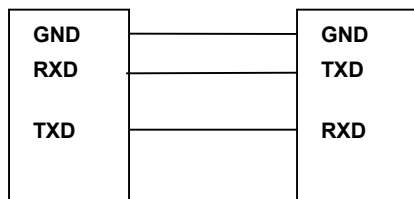


Serial Connection: RS485 / RS422



Pin Out of SC09 Your Device
NOTE: - USE D+ & D- for RS485, 2 wire

Serial Connections: RS232

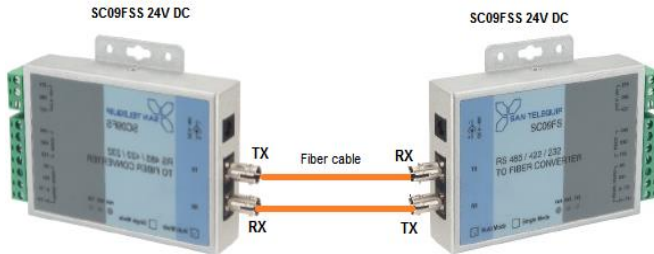


Pin Out of SC09 Your Device

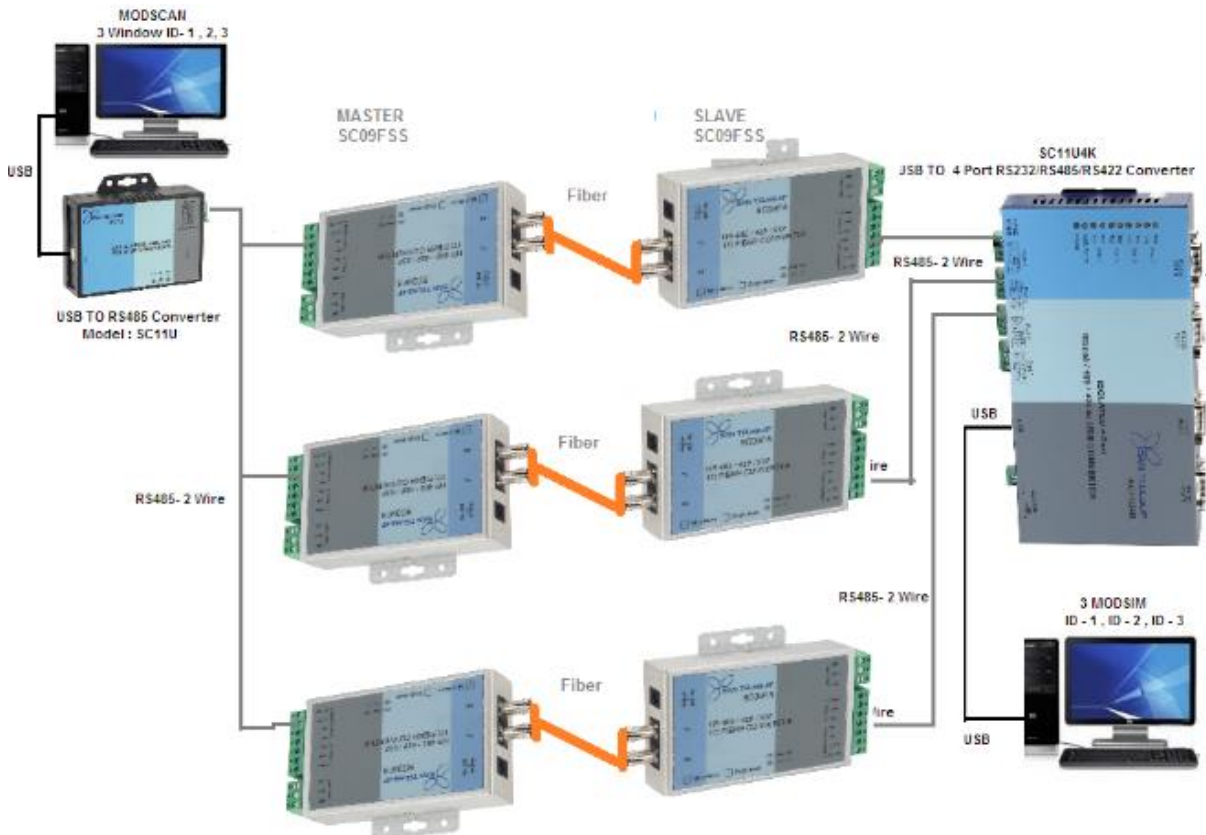
Fiber connection

Multi-mode fiber cable of almost all sizes can be used, including 50/125um, 100/140um and 200um. Under point-to-point mode, two fibers are to be used for two fiber modems and the directions of the data transmission are opposite.

Connection diagram for Back to Back mode



Connection diagram for One to Many



Signal and Power indicators

- TXD : Indicating data sending from fiber interface
- RXD : Indicating data receiving by fiber interface
- PWR : Power indicator
- FAULT : Fiber link indicator